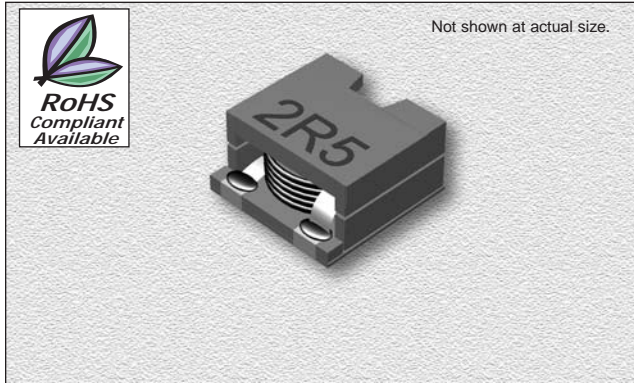


# CTEP105S Series

From 0.22  $\mu$ H to 5.0  $\mu$ H



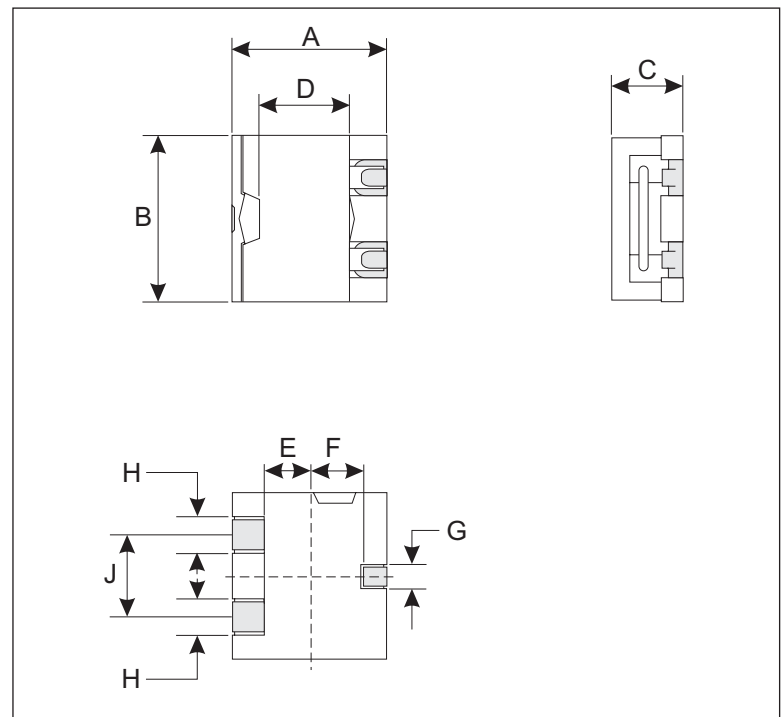
## SPECIFICATIONS

CTEP105SE Please specify "F" for RoHS compliant  
 \* The actual current when temperature of coil becomes  $\Delta T=40^{\circ}C$  ( $T_a=20^{\circ}C$ )

Part Number	Inductance ( $\mu$ H $\pm 20\%$ )	L Test Freq. (kHz)	DCR Max. (m $\Omega$ )	*Temp. Rise Current (typ.) (A)
CTEP105S_-0R2N	0.22 $\pm 30\%$	100	1.7	19.0
CTEP105S_-0R4M	0.45	100	2.4	17.7
CTEP105S_-0R8M	0.8	100	4.1	13.0
CTEP105S_-1R3M	1.3	100	5.3	11.2
CTEP105S_-1R8M	1.8	100	7.5	9.0
CTEP105S_-2R5M	2.5	100	10.5	7.8
CTEP105S_-3R2M	3.2	100	12.4	7.4
CTEP105S_-4R0M	4.0	100	18.0	6.2
CTEP105S_-5R0M	5.0	100	23.8	4.9

## PHYSICAL DIMENSIONS

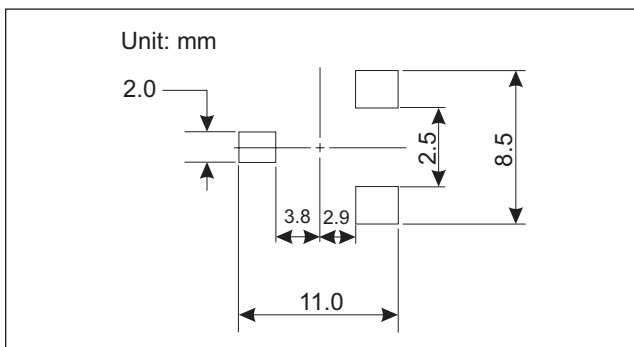
Size	A Max.	B Max.	C Max.	D	E	F	G	H	J
mm	10.4	10.4	5.6	5.5	2.9	3.8	1.4	2.6	5.5
inches	.409	.409	.22	.217	.114	.150	.055	.102	.217



## CHARACTERISTICS

- Description:** SMD shielded power inductor
- Applications:** Power supplies for VTR, OA equipment, LCD televisions, PC notebooks, portable communication equipment, DC/DC converters, etc.
- Operating Temperature:**  $-40^{\circ}C$  to  $+125^{\circ}C$
- Inductance Tolerance:**  $\pm 20\%$ ,  $\pm 30\%$
- Testing:** Tested on a HP4285A at 100 KHz , 0.25Vrms , 0Adc
- Packaging:** Tape & Reel
- Miscellaneous:** RoHS Compliant available.
- Marking:** Parts are marked with inductance code
- Additional Information:** Additional electrical & physical information available upon request
- Samples available.** See website for ordering information.

## PAD LAYOUT



05.25.05